

TOKICO

GAS

Springs

A Division of Tokico High Performance

Tokico Gas Springs offer a number of advantages over steel or rubber springs. They have excellent spring action for their size and they offer the extra dimension of self damping.

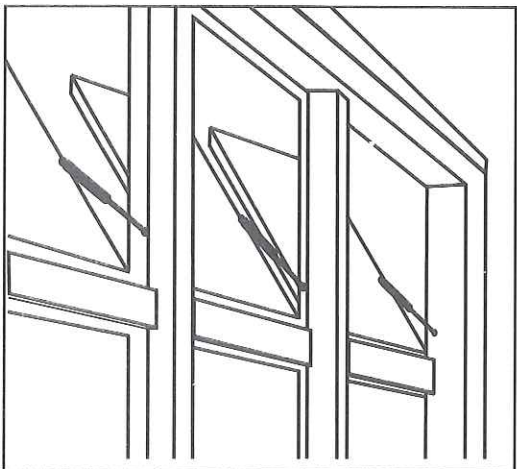
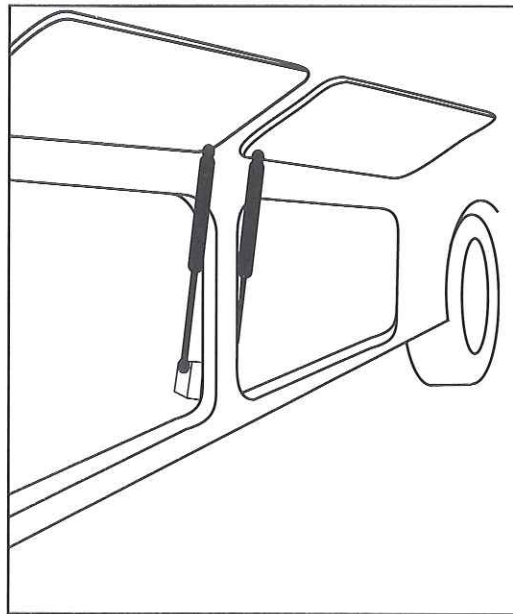
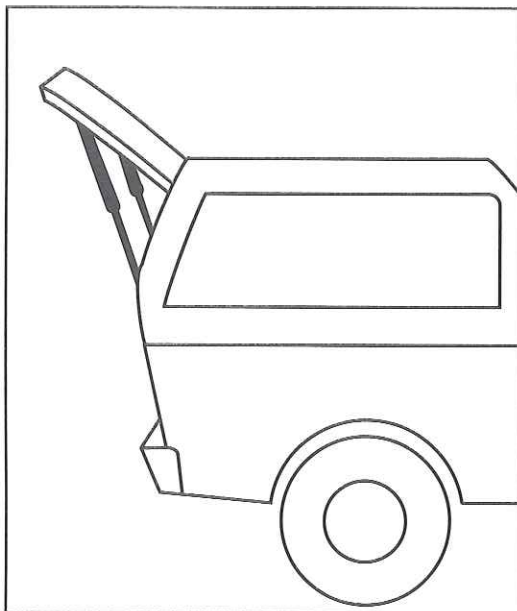
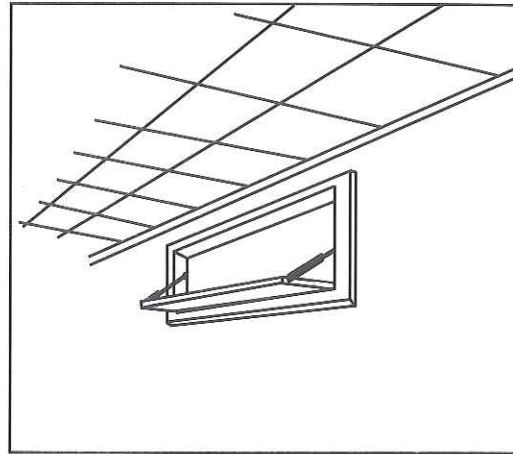
Tokico's extensive experience in the manufacture of hydraulic products, (over 40 years), and our materials and quality control assures you of performance and durability.



YOU NEED QUALITY - YOU NEED TOKICO

Tokico Gas Springs have the ability to hold a large initial load with minor changes in spring force throughout the stroke. Excellent seals and quality control assure maintenance of the spring constant.

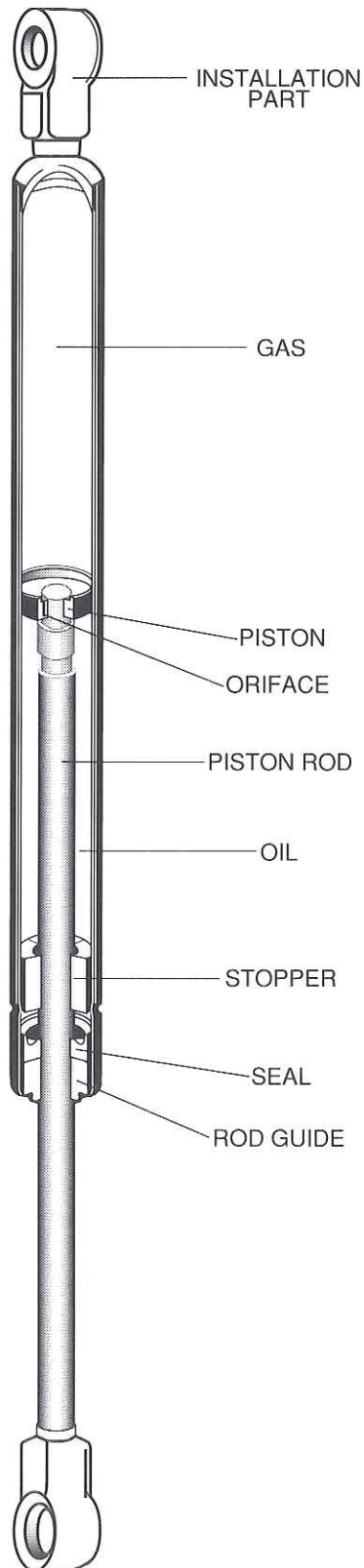
The damping capability of Tokico Gas Springs helps control the speed of the stroke during opening and closing. This



also eliminates the slamming effect that could otherwise occur at the full open position. Tokico's damping capability extends the life of the gas spring to a considerable degree.

Gas springs can be used in a wide variety of applications. Currently Tokico gas springs are used in RV's, light truck canopies, buildings and various industrial applications.

Y O U N E E D Q U A L I T Y - Y O U N E E D T O K I C O



TOKICO GAS SPRING APPLICATION GUIDE

NOTE: All measurements are center point from eye to eye joints.

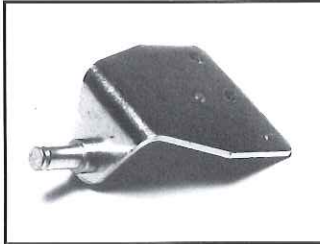
PART NUMBER	OVERALL EXTENDED LENGTH	COMPLETE COMPRESSED LENGTH	TOTAL STROKE	LIFT LBS. PRESSURE OPEN	LIFT LBS. PRESSURE CLOSED
Y2040	19.2	11.7	7.5	47.2	69.1
Y2044	26.6	16.6	10.0	73.7	86.8
Y2063	7.8	6.0	1.8	101.5	138.2
Y2083	26.6	16.6	10.0	95.7	112.7
Y2096	26.6	16.6	10.0	85.8	101.0
Y2500	17.2	10.8	6.4	24.3	38.2
Y2501	17.2	10.8	6.4	46.6	64.2
Y2502	17.2	10.8	6.4	24.3	38.2
Y2503	17.2	10.8	6.4	35.3	49.0
Y2504	12.0	8.3	3.7	28.4	37.3
Y2505	17.2	10.8	6.4	19.4	30.9
Y2507	17.2	10.8	6.4	94.9	129.4
Y2508	17.2	10.8	6.4	50.7	69.5
Y2509	7.8	6.0	1.8	4.0	55.6
Y2510	17.2	10.8	6.4	19.9	26.7
Y2511	17.2	10.8	6.4	19.9	26.7
Y2512	12.0	8.3	3.7	41.4	54.4
Y3014	19.4	11.7	7.7	120.0	203.3
Y3015	19.4	11.7	7.7	130.0	219.9
Y3019	19.4	11.7	7.7	150.0	251.0
Y3029	19.4	11.7	7.7	187.4	295.8

Y2000 Series Eye Mount End
 Y2500 Series Ball Joint End
 Y3000 Series Eye Mount End

Product warranted against defects in material and workmanship.

YOU NEED QUALITY - YOU NEED TOKICO

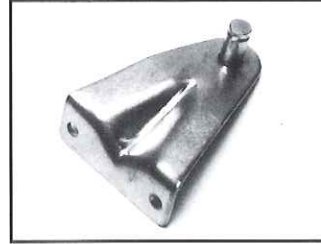
GAS SPRING PROP BRACKETS



1A



1B



2A



2B



3A



3B



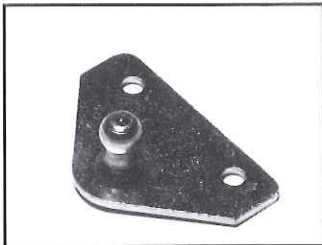
4A



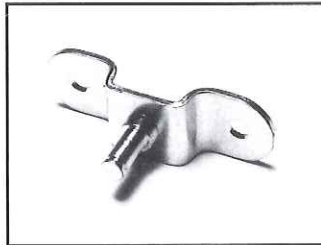
4B



5A



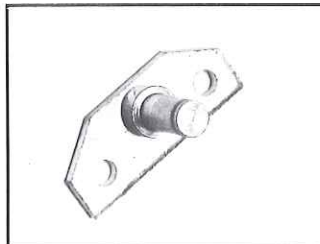
5B



6A



6B



7A



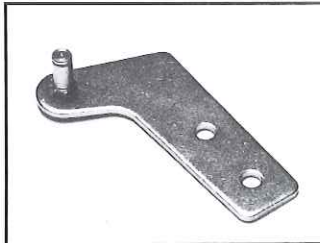
7B



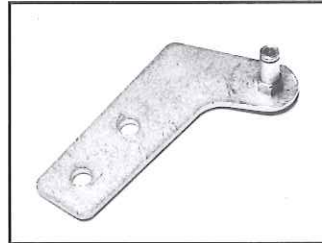
9A-L



9A-R



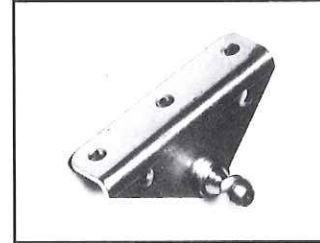
10A-L



10A-R



11B



12B



13B



14B



TOKICO
GAS *Spring*

475 Alaska Avenue Torrance, California 90503
Main Office (310) 212-0200 Fax (310)-212-0222
www.TokicoGasShocks.com

YOU NEED QUALITY - YOU NEED TOKICO